

# Model 460SJ

## TELESCOPIC BOOM LIFTS



### MORE ACCESS

- Get full access in every direction with 360-degree stepless rotation.

### SMART DESIGN

- Reduce maintenance with DuraTough turntable hood. High impact resistance and protects components.

### Standard Features

- 180 Degree Hydraulic Platform Rotator
- 0.91 m x 1.83 m Platform Side Entry
- Platform Console Machine Status Light Panel \*
- AC cable to Platform
- 5 Degree Tilt Alarm/Indicator Light
- Swing Out Engine Tray
- 12V-DC Auxiliary Power
- Hour meter
- Interactive Display at Ground Controls
- Control ADE® Advanced Design Electronics System
- Lifting/Tie Down Lugs
- Horn
- Hydrostatic drive transmission
- Oscillating Axle
- Platform Tool Tray
- Side entry with drop bar mid rail
- Multiple function operation
- Full proportional drive joystick control with integral thumb steer switch
- Full proportional main boom and swing joystick control
- Multiple speed control for telescope and platform rotate
- Selectable creep speed on drive/lift and swing functions
- Load sensing system
- Engine distress warning/shut down system \*\*
- Dura Tough gull-wing turntable hoods
- Ground control selector switch with key lock
- 6ft (1.83 m) Articulating Jib
- Cast Aluminum Control Box
- JLG Skyguard active system

\* Provides indicator lights at platform control console for system distress, low fuel, 5 degree tilt light, and foot switch status.

\*\* Low oil pressure and high coolant temperature alarms with shut-down enabled/disabled by analyser.

### Standard Specifications

Power Source	
• Diesel Engine	Deutz D2.3 L3 Stage IIIA 36.4 kW
• Fuel Tank Capacity	83 L
Hydraulic Reservoir	
• Hydraulic Reservoir	136 L
• Auxiliary Power	12V-DC
Tyres	
• Standard	14 x 17.5 Foam-Filled Tyres

<sup>1</sup> Includes boom wipers, cylinder bellows and console cover.

Note: Some options may increase lead time, and some option combinations may not be available.

### MORE ECONOMIC

- Cut fuel consumption and operating costs with variable engine control.

### MORE PRODUCTIVE

- Carry more tools and materials and stay on the job longer with big industry leading, 270kg unrestricted basket capacity.

### Accessories & Options

- 0.91 m x 2.44 m Self closing inward swing gate
- 0.91 m x 2.44 m side gate entry platform
- 13 mm airline to platform
- Tow Package
- Flashing Amber Beacon
- Hostile Environment Kit <sup>1</sup>
- Light Package
- Platform Worklights
- Synthetic Biodegradable Hydraulic Oil
- Spark Arresting Muffler
- Skypower 7,500W generator package
- SkyWelder® Package
- SkyGlazier® Package
- Euro plugs and sockets
- On-board 4,000W generator
- Soft Touch 0.91 m x 2.44 m Platform Proximity System
- Skyguard beacon (ILOS)
- Head & Tail Lights
- Arctic package
- Generator hourmeter
- Hydraulic Oil Cooler
- Special paint colour
- Fixed Axle
- 12 x 16.5 Foam-Filled Lug Tread Tyres
- 12 x 16.5 Foam-Filled, Non-Marking Tyres
- All motion alarm
- Tow Bar
- Container transport wheels

# Model 460SJ

## TELESCOPIC BOOM LIFTS

### Performance

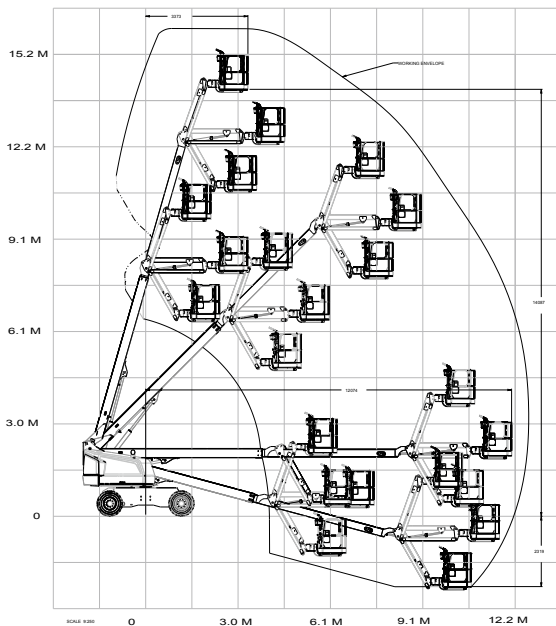
• Working Height	16.09 m
• Working Outreach	12.72 m
• Swing	360 Degrees Continuous
• Platform Capacity	270 kg
• Platform Rotator	180 Degrees Hydraulic
• Dimensions:	
A. Platform Size	0.91 m x 1.83 m
B. Overall Width	2.31 m
C. Tailswing (working condition)	0.86 m
D. Stowed Height	2.47 m
E. Stowed Length	8.91 m
F. Wheelbase	2.37 m
G. Ground Clearance	0.30 m
• Range of Articulation	130 Degrees (+70, -60)
• Weight <sup>1/2</sup>	7,975 kg
• Max. Ground Bearing Pressure <sup>2</sup>	4.85 kg/cm <sup>2</sup>
• Drive Speed	7.2 km/h
• Gradeability	45%
• Turning Radius	
Inside	2.0 m
Outside	4.84 m

<sup>1</sup> Certain options or country standards may increase weight and/or dimensions

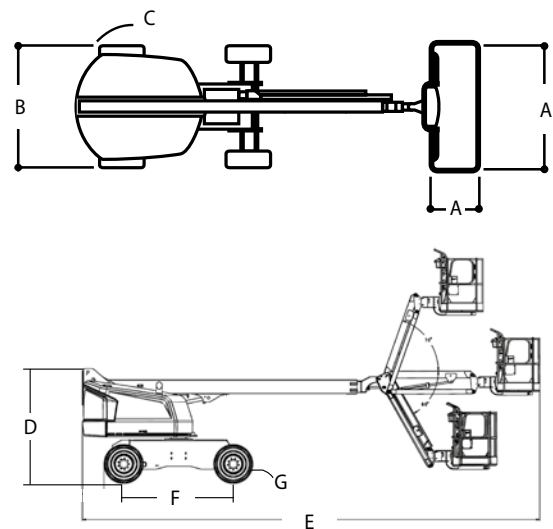
<sup>2</sup> With Standard tires



### Reach Diagram



### Dimensions



### IMPORTANT

JLG is continually researching and developing products and reserves the right to make modifications without prior notice. All data in this document is indicative. Certain options or country standards will increase weight. Specifications may change to meet country standards or with the addition of optional equipment.

Due to continuous product improvements, JLG Industries reserves the right to make specification and/or equipment changes without prior notification.



### JLG EMEA BV

Polaris Avenue 63  
2132 JH Hoofddorp  
The Netherlands  
Phone: +31 (0)23 565 5665  
[www.jlg.com](http://www.jlg.com)

An Oshkosh Corporation Company